

Toilet Safety Frame



Attachable model



Free standing models



A toilet safety frame offers improved safety and security with toileting. It is a perfect addition for anyone recovering from surgery or illness, struggling with difficulty performing sit/stand transfers and/or balance, or would simply like more safety with toileting. Toilet safety frames are generally made of aluminum with adjustable heights to fit various toilets. Free standing versions provide ease of installation and portability from one toilet to another, but may move if unequal pressure is placed on the handrails. Attachable versions are bolted to the toilet, therefore

require installation and are not quickly portable. They will not tip, but the handles may move more due to the single leg support to the floor. Toilet safety frames should not be used if the user needs to pull up to come to a standing position as the frame will move.

Please refer to directions below for various models

Attachable Toilet Safety Frame

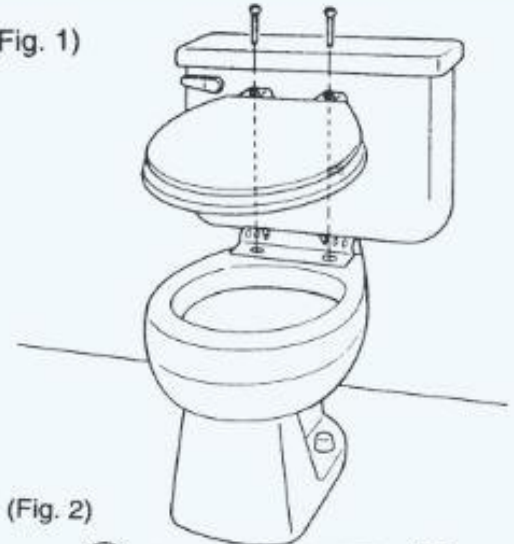
installation instructions

WEIGHT LIMIT 300 LBS

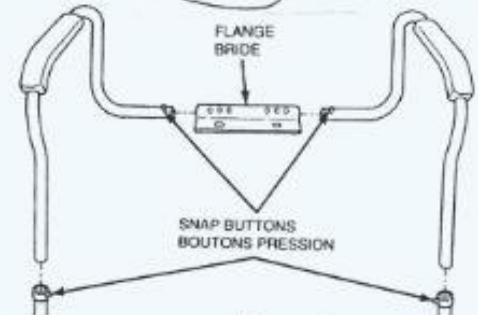
1. Detach seat by first removing toilet seat bolts
2. Place the rail mounting flange on the toilet and align the holes
3. Place toilet seat and align holes. (Fig 1)
4. Realign bolts and tighten securely.
5. Slide assist rails into Flange Bride and secure them with built-in snap buttons. (Fig 2)
6. Set rail to desired width and height using the built-in snap buttons. Make sure all built-in snap buttons are secured before use of product.



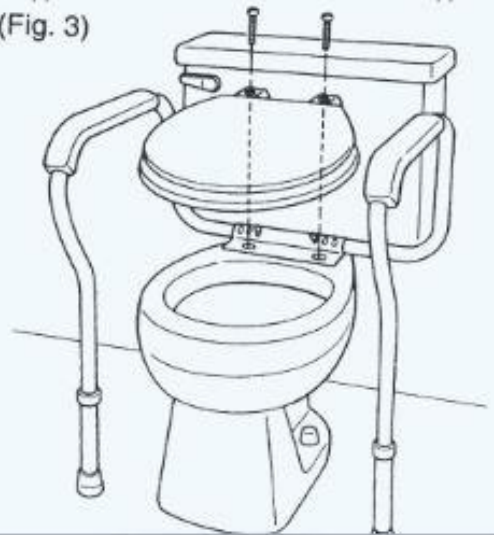
(Fig. 1)



(Fig. 2)



(Fig. 3)



Close up views of adjustable snap buttons:





Fold Easy toilet safety frame

Your model may or may not have a foot plate.

Fold Easy Toilet Safety Frame. Provides safe support for people who need help getting on and off the toilet. No need to modify your bathroom or toilet; free-standing, portable, adjustable & foldable for storage or travel. Ergonomically designed for ease of use and personal safety.

Easy to remove for people who don't need it and re-installed for people who do. No assembly; free-standing frame snaps into position in seconds, ready to fit around your toilet seat with back bar in front of water tank.

Specifications:

- The folding foot plate sits flush to the floor so that the weight of the user provides added security.
- Fold easy has a small footprint.
- Weight capacity is 350 lbs.
- Overall width is 23" and the overall front to back dimension is 25" (back bar to front of foot plate).
- Height adjustable 26.75" to 34.75" (floor to top of arm).
- Fits virtually all standard toilets.
- For elongated toilets, maximum front to back toilet dimension, with seat up, is 18" from toilet seat top to front of toilet base.
- Inside width between arms is 20.25".

Minor 'assembly' may be required. This includes a pair of 'C' pins:



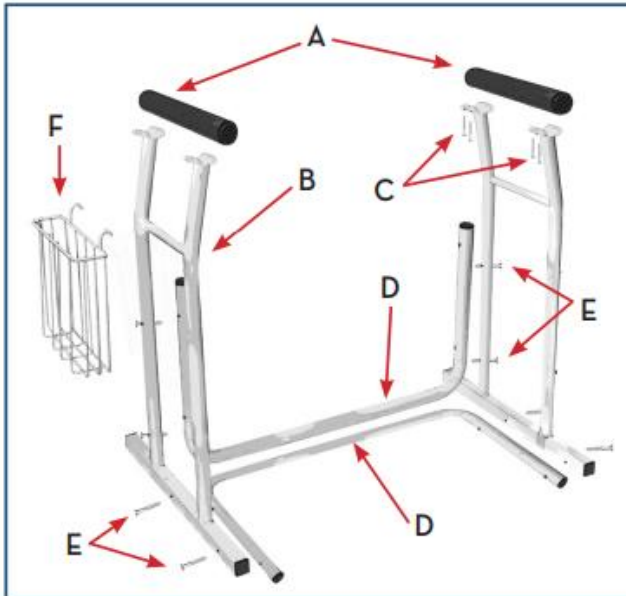
'C' pin in resting position - unit may be folded

'C' pins need to be placed here (on both sides) for support, when opened.

Free Standing Toilet Safety Frame

parts list

- A. Armrest/Handle
- B. Side Frame
- C. Screws
- D. U Shaped Support Frame
- E. Thumb Screws
- F. Basket



assembly instructions

WEIGHT LIMIT 300 LBS.

1. Remove contents from carton.
2. Attach armrest/handle (A) to side frame (B) using 2 screws (C). Repeat for second side frame.
3. Stand the side frame (B) on its base. Attach one of the U shaped support frames in the horizontal position (D) to bottom of base using 2 thumb screws (E).
4. Attach the second U shaped support frame (D) to the side frame in vertical position using 2 more thumb screws (E).
5. Repeat steps 3 and 4 for second side frame.
6. Hang magazine basket (F) on desired side of side frame.

Note: Check thumb screws periodically for tightness. Tighten as necessary.

