

## Transport Wheelchair



A transport wheelchair is a lightweight wheelchair that is used by a caregiver to transport an individual who is unable to propel a standard wheelchair. Transport wheelchairs have four 8-12" wheels which cannot be reached when sitting in the chair. Due to their lightweight and generally more compact size, they are an excellent option to use when travelling and for caregivers that are challenged moving a standard wheelchair. These chairs are not designed for long-term use as the seat back are generally padded fabric and not vinyl. Typical models usually weight less than 25 lbs, are easily folded, include swing-away footrests, and have rear push-lock brakes, or hand brakes.

## Operating Instructions

### Folding and Unfolding Transport Chair

#### Unfolding

*NOTE: For this procedure, refer to FIGURE 2.5.*

1. Open the transport chair by grasping the push handle of the transport chair closest to you.
2. Tilt the transport chair toward you (raising the opposite wheel and caster off the ground/floor).
3. Push downward on the top of the seat rail closest to you where the seat upholstery is attached until the transport chair is fully open.



**FIGURE 2.5** Unfolding

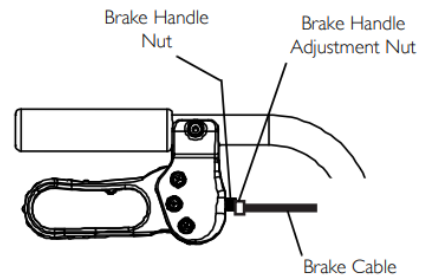
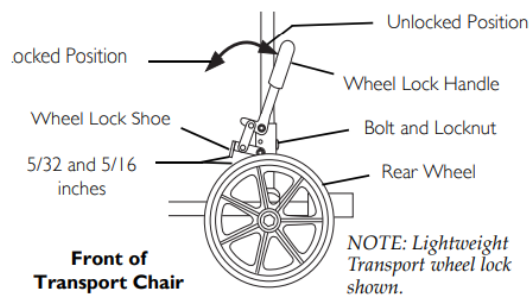
#### Folding

*NOTE: For this procedure, refer to FIGURE 2.6.*

1. Swing the footrest/legrest in locked position to the front of the transport chair.
2. Pivot the footplates upward to vertical position.
3. Grasp the two straps on the seat rails and pull up to begin closing the transport chair.
4. Continue to close the transport chair by grasping the armrest furthest from you and pulling the armrest toward you.



**FIGURE 2.6** Folding



**Wheel locks are placed on the back wheels of the chair or hand brakes on the handle bars. They are to be used every time the patient sits down in the chair AND when they stand up to leave the chair.**

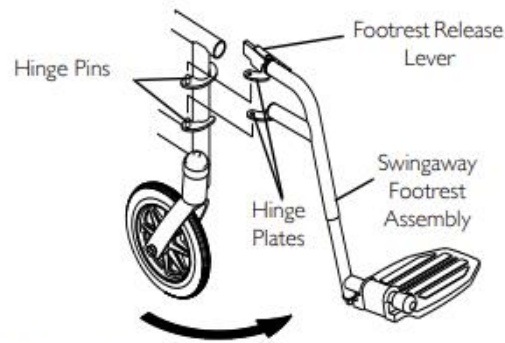
## Installing Swingaway Footrest Assembly

*NOTE: For this procedure, refer to FIGURE 4.1.*

1. Turn the footrest to the side (open footplate is perpendicular to transport chair).
2. Install the hinge plates on the footrest onto the hinge pins on the transport chair frame.
3. Push the footrest towards the inside of the transport chair until it locks into place.

*NOTE: The footplate will be on the inside of the transport chair when locked in place.*

4. Repeat this procedure for the other footrest assembly.
5. To release the footrest, push the footrest release lever inward, rotate the footrest outward.



**FIGURE 4.1** Installing Swingaway Footrest Assembly

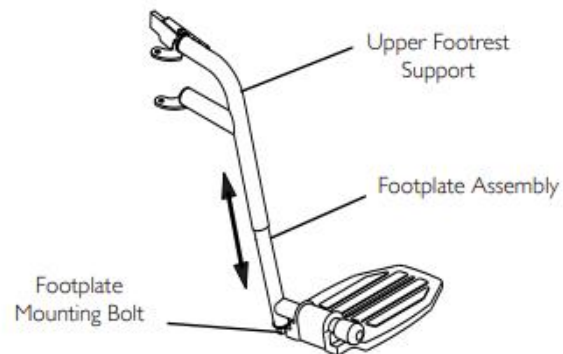
## Adjusting Footplate Height

*NOTE: For this procedure, refer to FIGURE 4.2.*

1. Remove the swingaway footrest assembly. Refer to [Installing Swingaway Footrest Assembly](#) on page 16.

*NOTE: Lay the assembly on a flat surface to simplify this procedure.*

2. Loosen, but DO NOT remove, the footplate mounting bolt until the footplate assembly moves freely.
3. Reposition the footplate assembly to the desired height.
4. Securely tighten the footplate mounting bolt.
5. Repeat this procedure for the other footrest, if necessary.
6. Reinstall the swingaway footrest assembly. Refer to [Installing Swingaway Footrest Assembly](#) on page 16.



**FIGURE 4.2** Adjusting Footplate Height